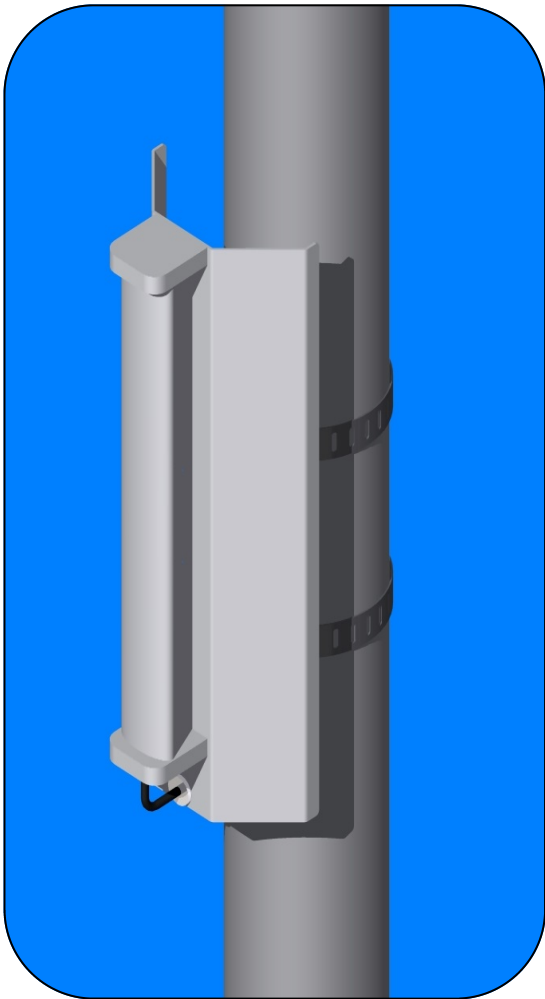


180° Sector Panel Antenna



The FXSP1.8-2.17 sector antenna is designed to be used in commercial, military, and other applications where reliability is needed most. This antenna works with all radios within the 1800-2170 MHz band.

The antenna is designed to provide maximum Data, Video & Voice for cellular performance in multiple applications.

The antenna is provided with state-of-the-art radiating elements essential for maximum reliability and superior performance.

Robust and tough, this antenna is housed in a thick UV stable radome and is constructed from corrosion resistant materials for reliability in the harshest environments.

- **Rapid Deployable**
- **User Friendly and Easy to Install**
- **Can be used for Emergency Standby on Cellular Networks**
- **Designed to Reduce BER (Bit Error Rate)**
- **Ideal Pattern/Beam Width and Sidelobe Control**
- **180° Azimuth Coverage**



180° Sector Panel Antenna

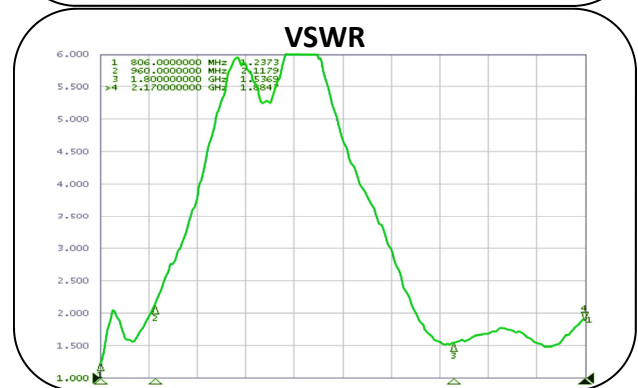
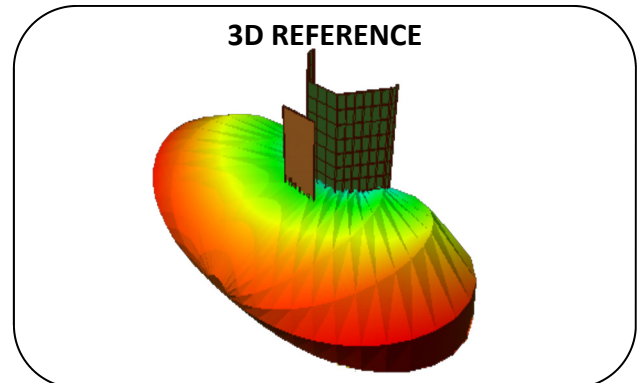
Specifications

ELECTRICAL:

Frequency Range:	1800-2170 MHz
Gain:	4.0 dBi +/- .5
VSWR:	2.0:1 Typical
Input Impedance:	50 Ω Nominal
Power:	60 Watts
Polarization:	Vertical
Radiation Pattern:	Azimuth: 180° Elevation: 90°
Input Connector:	Type N Female

MECHANICAL:

Overall Dimensions:	24 in. L x 6 in. W x 3.5 in. D Approx: (609 mm L x 152 mm W x 89 mm D)
Net Weight:	4 lb. (1.9 kg)
Maximum Wind Load:	150 mph (241 km/h)
Operational Temps:	-40° to +185°F (-40° to +85°C)
Color:	Black/Green/Tan/Grey/White
Mounting:	Up to 2" (50.8 mm) Dia. Mast Stainless Steel U-Bolts



**All information on this product and the product itself is the property of and is proprietary to Hascall-Denke.

**Specifications are subject to change without prior notice.



Made in the USA
ISO 9001:2008 Certified
(1Y17650)

P.O. Box 909, Palmetto, Florida 34220-0909
Tel: 941-723-2833 • Fax: 941-723-1628
www.hascall-denke.com