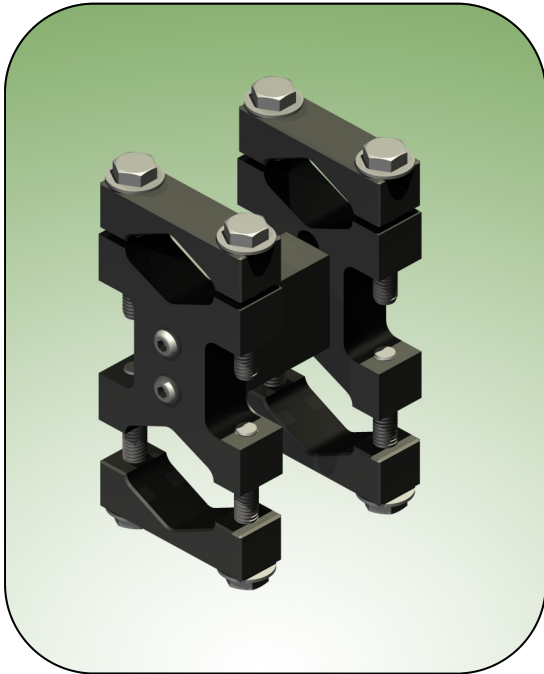


UM007 Fixed Mount



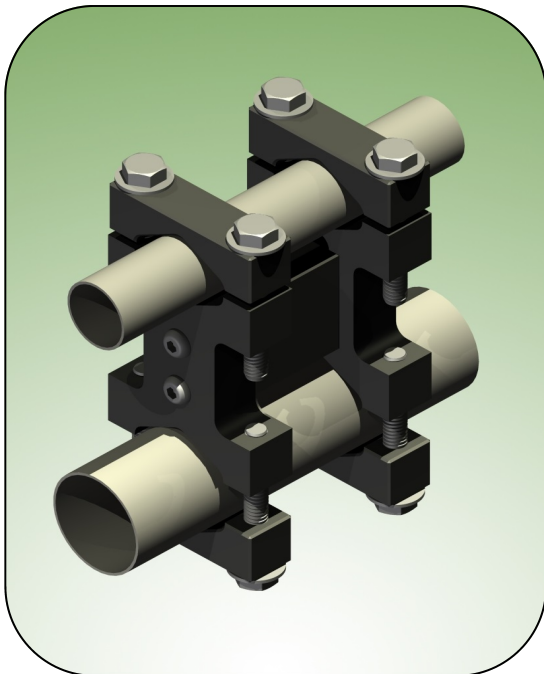
The UM007F Fixed Mount is one of our pole mounting systems that can adapt to a range of different pole diameters from 1" (24.5 mm) to 1.5" (38.1 mm).

The construction of this mount consists of heavy duty aluminum and stainless steel hardware.

Specifications

MECHANICAL:

Overall Height:	5 in. (127 mm)
Overall Length:	3.50 in. (89 mm)
Overall Width:	2.50 in. (64 mm)
Color:	Black/Green/Tan/Grey (Or customer specific.)



****All information on this product and the product itself is the property of and is proprietary to Hascall-Denke.**

****Specifications are subject to change without prior notice.**



Made in the USA
ISO 9001:2008 Certified
(1Y09950)

P.O. Box 909, Palmetto, Florida 34220-0909
Tel: 941-723-2833 • Fax: 941-723-1628
www.hascall-denke.com