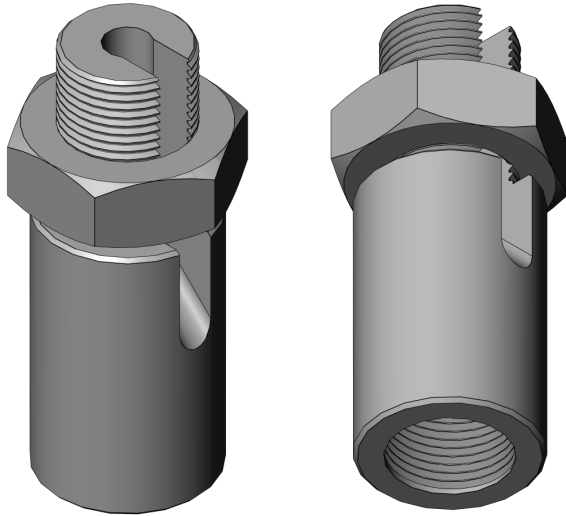


The 1"-14 Male to Female Extension is made from marine grade 316 stainless steel. This Extension provides an integrated cable slot exiting out the side, providing installation flexibility to the operator.

Hascall-Denke maritime products are built to provide you with superior performance under the harshest conditions.



**Features**

- Standard 1"-14 thread
- High strength
- High resistance to corrosion
- Cable slot

**Mechanical Specifications**

Height	3.57"
Weight	4.25 lbs
Thread	1"-14 Male and Female Threads

\*\*All information on this product and the product itself is the property of and is proprietary to Hascall-Denke.

\*\*Specifications are subject to change without prior notice.

