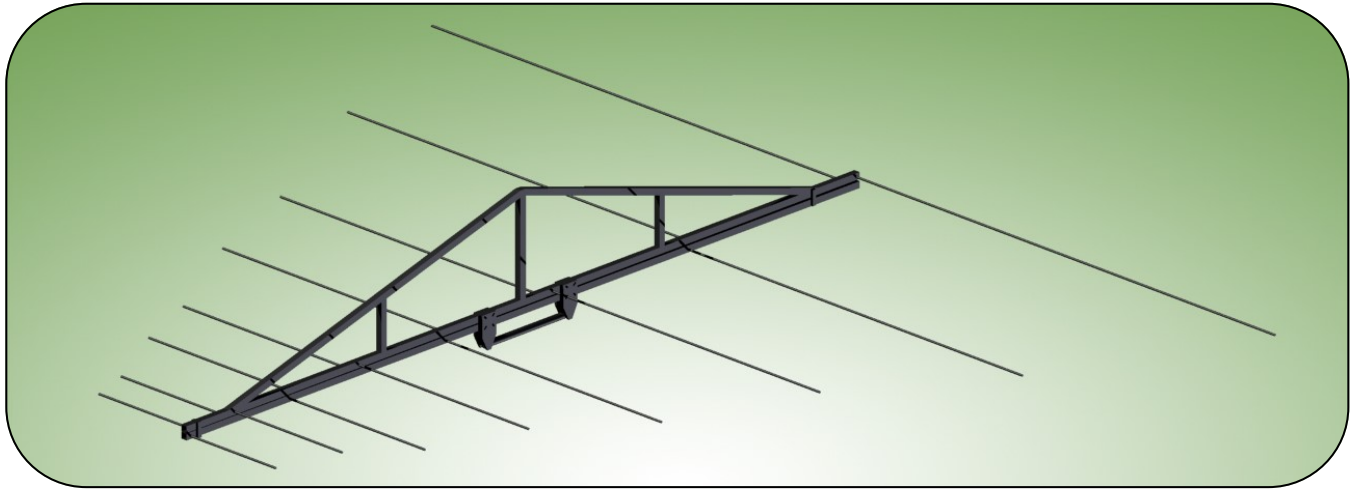


Broadband Directional Antenna



The FXLP20X5 is a broadband log periodic antenna that covers the entire band of 20-100 MHz. It is designed to achieve the maximum gain with minimum size and robust construction for harsh environments.



Made in the USA
ISO 9001:2008 Certified
(1Y07750)

P.O. Box 909, Palmetto, Florida 34220-0909
Tel: 941-723-2833 • Fax: 941-723-1628
www.hascall-denke.com

Broadband Directional Antenna

Specifications

ELECTRICAL:

Frequency Range:	20-100 MHz
Gain:	6 dBi Nominal
VSWR:	3:1 Nominal
Input Impedance:	50 Ω Nominal
Power:	200 Watts
Polarization:	Horizontal
Front-to-Back Ratio:	12 dB
Input Connector:	Type N Female

MECHANICAL:

Boom Length:	310 in. (7.87 m)
Element Span:	300 in. (7.62 m)
Number Of Elements:	8 Elements
Color:	Black/Green/Tan/Grey

**All information on this product and the product itself is the property of and is proprietary to Hascall-Denke.

**Specifications are subject to change without prior notice.



Made in the USA
ISO 9001:2008 Certified
(1Y07750)

P.O. Box 909, Palmetto, Florida 34220-0909
Tel: 941-723-2833 • Fax: 941-723-1628
www.hascall-denke.com