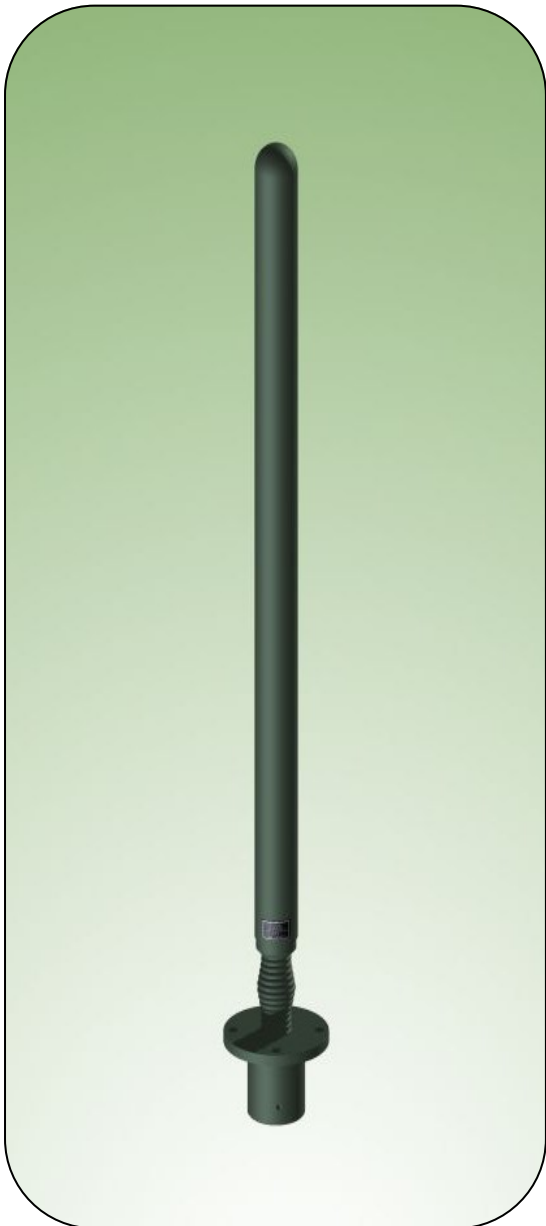


Mobile Dipole Antenna



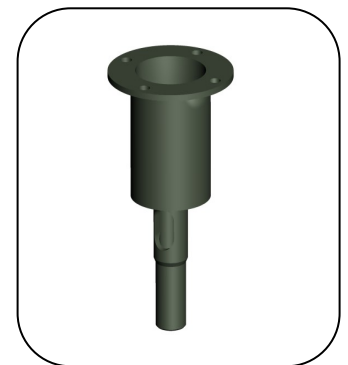
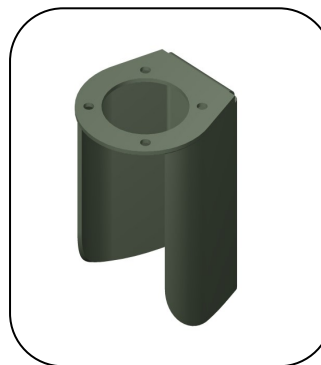
The MVDP225X9 antenna is designed to be mounted on military and other off-road vehicles and works with all UHF frequency hopping radios within the 225-2000 MHz band.

Being “ground independent”, this antenna can be used on all types of vehicles (metal or non-metal) with no degradation in performance.

Robust and tough, this antenna is housed in a thick fiberglass radome and is constructed from corrosion resistant materials for reliability in the harshest environments.

Vehicular Mount*

Mast Mount*



*Mounting brackets sold separately. Other mount styles available.



Mobile Dipole Antenna

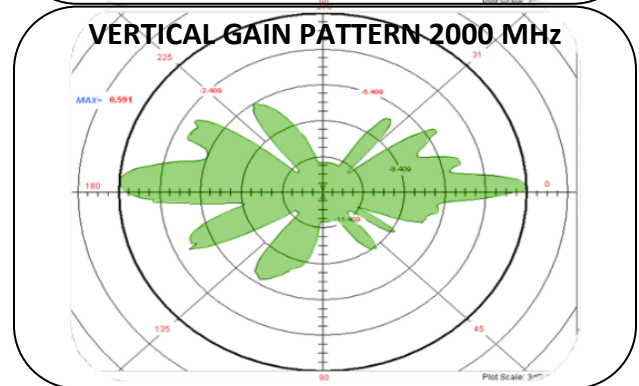
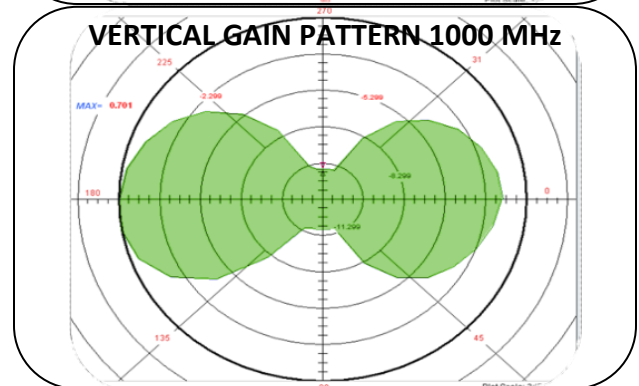
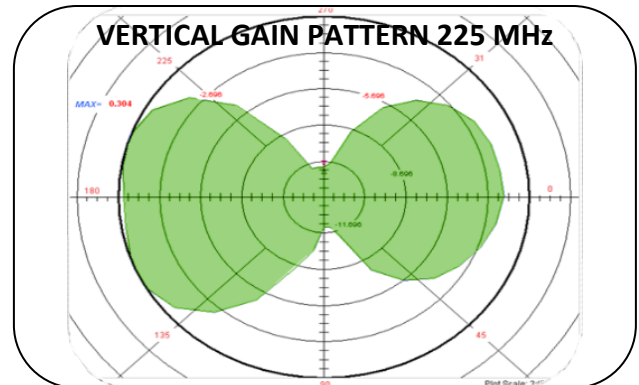
Specifications

ELECTRICAL:

Frequency Range:	225-2000 MHz
Gain:	0.0 dBi Nominal
VSWR:	2.5:1 Nominal
Input Impedance:	50 Ω Nominal
Power:	100 Watts
Polarization:	Vertical
Radiation Pattern:	Azimuth: 360° Elevation: 90°
Input Connector:	Type N Female

MECHANICAL:

Overall Height:	44.75 in. (1.14 m)
Radome Diameter:	2.25 in. (57.15 mm)
Net Weight:	< 10 lb. (< 4.5 kg)
Operational Temps:	-40° to +158°F (-40° to +70°C)
Color:	Black/Green/Tan/Grey
Mounting:	NATO Standard Four .5" (12.7 mm) Holes, equally spaced on a 4.5" (114.3 mm) Dia. BHC



**All information on this product and the product itself is the property of and is proprietary to Hascall-Denke.

**Specifications are subject to change without prior notice.



Made in the USA
ISO 9001:2008 Certified
(1Y10000)

P.O. Box 909, Palmetto, Florida 34220-0909
Tel: 941-723-2833 • Fax: 941-723-1628
www.hascall-denke.com