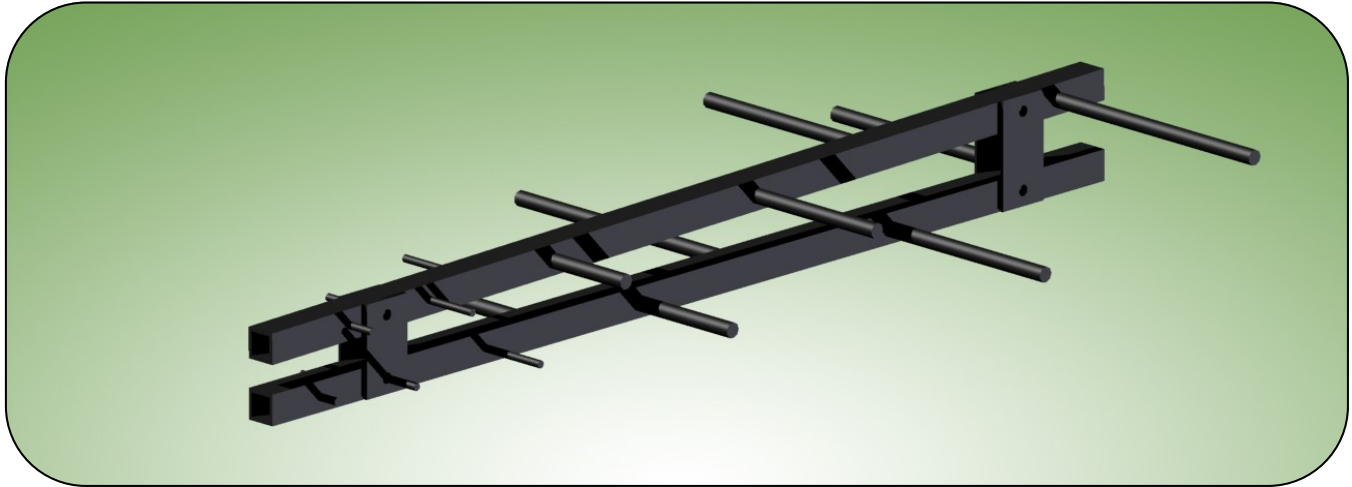


Broadband Directional Antenna



The FXLP800X3 is a broadband log periodic antenna that covers the entire band of 800-2100 MHz. It is designed to achieve the maximum gain with minimum size and robust construction for harsh environments.



Broadband Directional Antenna

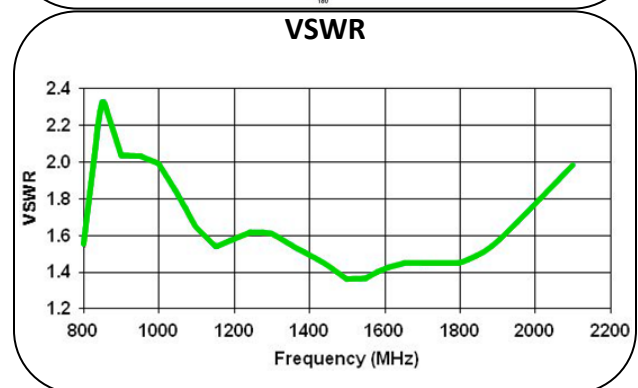
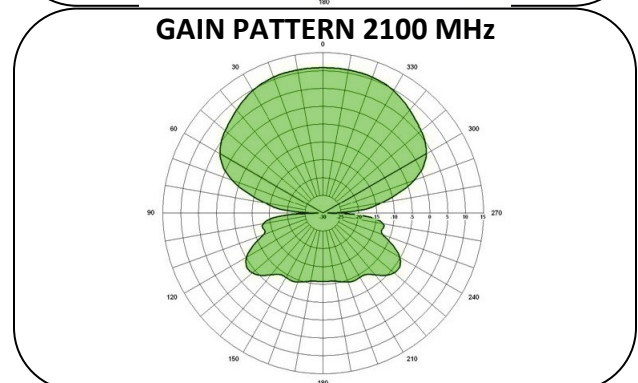
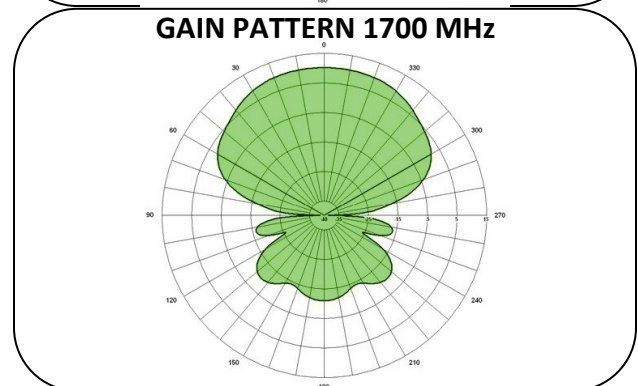
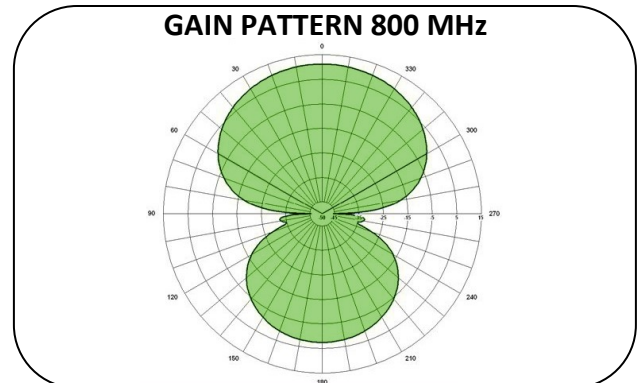
Specifications

ELECTRICAL:

Frequency Range:	800-2100 MHz
Gain:	See Charts
VSWR:	< 2.5:1
Input Impedance:	50 Ω Nominal
Power:	50 Watts
Polarization:	Horizontal or Vertical
Front-to-Back Ratio:	See Charts
Input Connector:	SMA Female

MECHANICAL:

Boom Length:	17.62 in. (0.45 m)
Element Span:	8.88 in. (0.23 m)
Number Of Elements:	10 Elements
Color:	Black/Green/Tan/Grey



**All information on this product and the product itself is the property of and is proprietary to Hascall-Denke.

**Specifications are subject to change without prior notice.



Made in the USA
ISO 9001:2008 Certified
(1Y05900)

P.O. Box 909, Palmetto, Florida 34220-0909
Tel: 941-723-2833 • Fax: 941-723-1628
www.hascall-denke.com